



Cam Units CLD  
Schieber CLD  
Unità a Camme CLD

**OMCR**<sup>®</sup>  
STANDARD DIE COMPONENTS

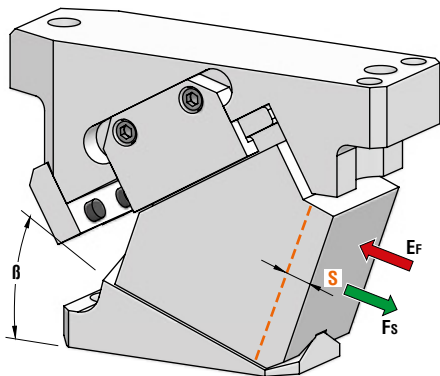
2019.01

OMCR CODE	Work Angle	Slider Width (mm)	Closed Cam Height (mm)	Work Area W x H (mm)	Max Work Force with shoulder 10 <sup>6</sup> cycles (kN)	Extraction Force (kN)	Page number
	$\beta$				F <sub>s</sub>	E <sub>F</sub>	
CLD052	0÷80°	52	125 (0°÷70°) 150 (75°÷80°)	52 x 11	31	0,18÷0,66	832



Employees competence

**AERIAL CAM UNIT - OBEN HÄNGENDER SCHIEBER - UNITÀ A CAMME SOSPESA**



OMCR CODE	Work Angle $\beta$	Stroke (mm) <b>S</b>	Max Work Force with shoulder (kN) <b>F<sub>s</sub></b>	Extraction Force (kN)
				<b>Spring</b> <b>E<sub>f</sub></b>
CLD052.00	0°	19,28	31	0,66
CLD052.05	5°	21,29	31	0,66
CLD052.10	10°	23,34	31	0,66
CLD052.15	15°	25,44	31	0,66
CLD052.20	20°	27,65	31	0,66
CLD052.25	25°	30	31	0,66
CLD052.30	30°	32,55	31	0,66
CLD052.35	35°	35,38	31	0,66
CLD052.40	40°	38,57	31	0,66
CLD052.45	45°	42,26	31	0,66
CLD052.50	50°	46,67	31	0,66
CLD052.55	55°	52,30	31	0,59
CLD052.60	60°	60	31	0,52
CLD052.65	65°	47,32	31	0,43
CLD052.70	70°	58,48	31	0,35
CLD052.75	75°	46,36	31	0,27
CLD052.80	80°	57,59	31	0,18

**OPTION CODE**

<b>SL</b>	1 ÷ 60 (1mm steps)
-----------	--------------------

**OPTION CODE**

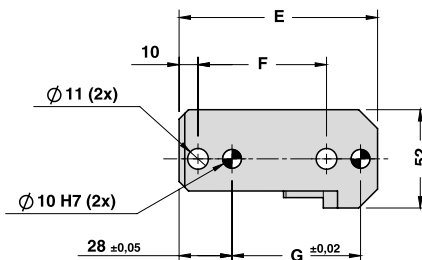
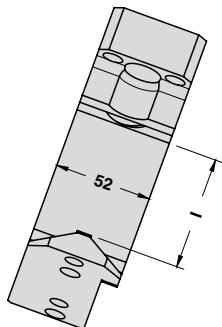


Art.	Work Angle = 5°	<b>SL</b>
CLD052	05	SL55

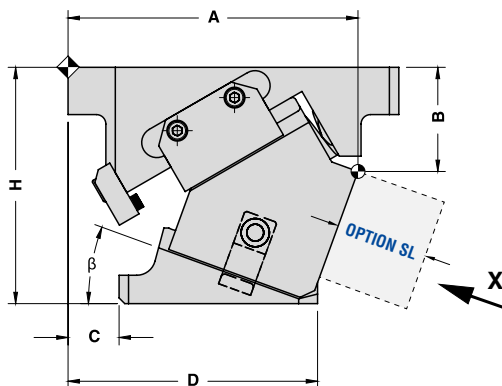
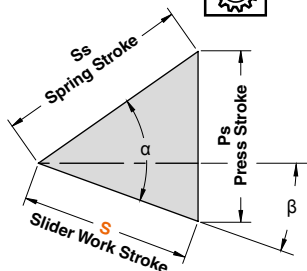
OMCR CODE	Work Angle $\beta$	Overall Dimensions (mm)								
		A	B	C	D	E	F	G	H	I
CLD052.00	0°	150	43	45	150	105	68	68	125	60
CLD052.05	5°	153,10	45,21	42	147	105	68	68	125	60
CLD052.10	10°	153,55	47,83	37	142	105	68	68	125	60
CLD052.15	15°	153,32	50,82	32	137	105	68	68	125	60
CLD052.20	20°	153,38	55,10	27	132	105	68	68	125	60
CLD052.25	25°	154,71	58,62	20	125	105	68	68	125	60
CLD052.30	30°	153,28	63,31	17	122	105	68	68	125	60
CLD052.35	35°	152,09	67,10	10	115	105	68	68	125	60
CLD052.40	40°	149,14	71,93	4	109	105	68	68	125	60
CLD052.45	45°	145,41	75,73	-4	101	105	68	68	125	60
CLD052.50	50°	143,92	79,43	-9	96	105	68	68	125	60
CLD052.55	55°	144,67	82,97	-10	95	105	68	68	125	60
CLD052.60	60°	150,69	90,28	-9	96	105	68	68	125	60
CLD052.65	65°	130,16	99,54	-45	60	105	68	68	125	60
CLD052.70	70°	133,62	106,97	-40	65	105	68	68	125	60
CLD052.75	75°	148,74	124,59	-30	81	111	55	55	150	70
CLD052.80	80°	148,74	124,59	-30	80	110	55	55	150	70

AERIAL CAM UNIT - OBEN HÄNGENDER SCHIEBER - UNITÀ A CAMME SOSPESA

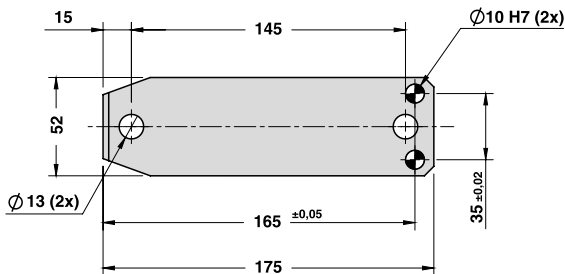
X VIEW



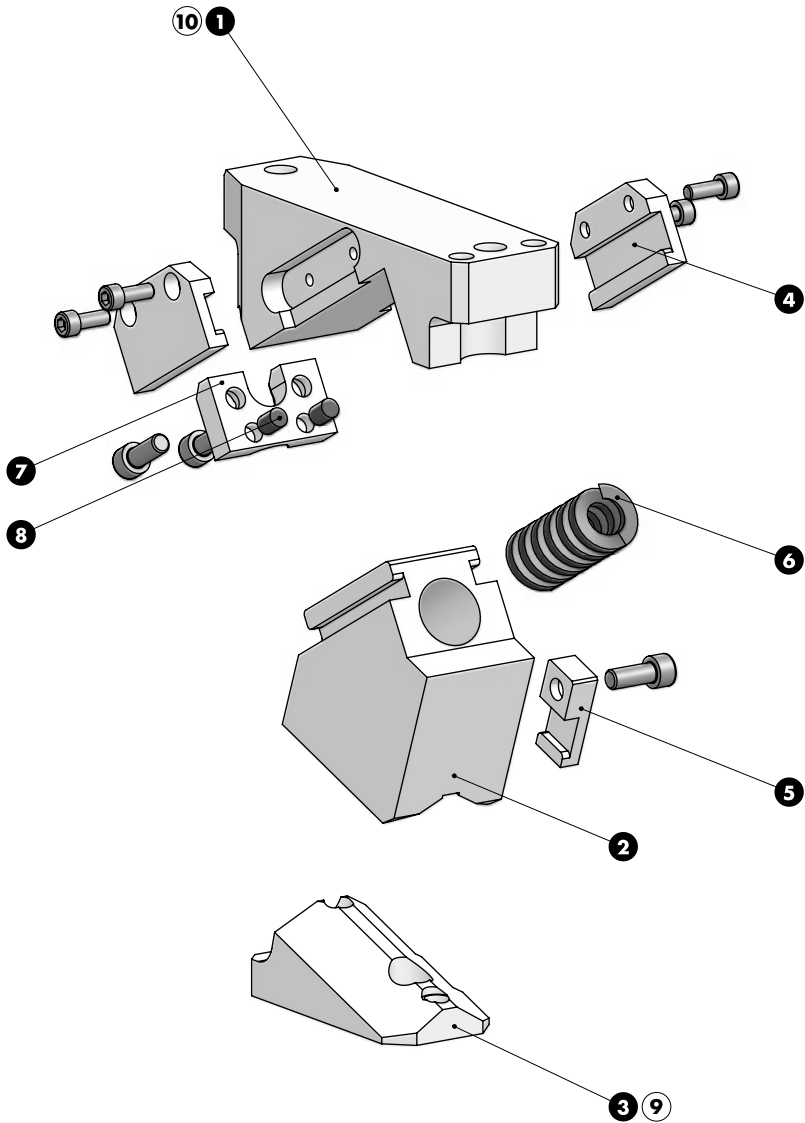
CAM DIAGRAM



Work Angle	Inner Angle	Slider Work Stroke (mm)	Press Stroke (mm)	Spring Stroke (mm)
$\beta$	$\alpha$	S	Ps	Ss
0°	50°	19,28	22,98	30
5°	50°	21,29	23,07	30
10°	50°	23,34	23,34	30
15°	50°	25,44	23,79	30
20°	50°	27,65	24,46	30
25°	50°	30,00	25,36	30
30°	50°	32,55	26,54	30
35°	50°	35,38	28,06	30
40°	50°	38,57	30,00	30
45°	50°	42,26	32,50	30
50°	50°	46,67	35,75	30
55°	55°	52,30	42,84	30
60°	60°	60,00	51,96	30
65°	65°	47,32	42,89	20
70°	70°	58,48	54,95	20
75°	75°	46,36	44,78	12
80°	80°	57,59	56,71	10

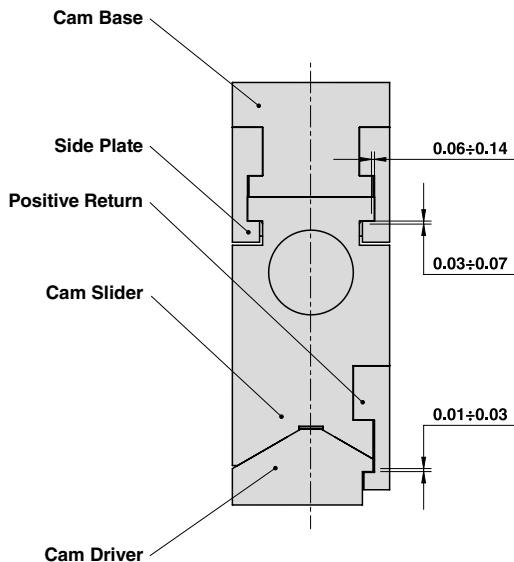


## AERIAL CAM UNIT - OBEN HÄNGENDER SCHIEBER - UNITÀ A CAMME SOSPESA



## AERIAL CAM UNIT - OBEN HÄNGENDER SCHIEBER - UNITÀ A CAMME SOSPESA

## SLIDER STRUCTURE, POSITIVE RETURN STRUCTURE AND CLEARANCES



## PART LIST

Particular number	Description	Material	Quantity
1	Cam Base	GG-25	1
2	Cam Slider	GG-25 + Graphite	1
3	Cam Driver	GG-25	1
4	Side Plate	CK45 + Graphite	2
5	Positive Return	CK45	1
6	Spring	-	1
7	Stopper Plate	St44	1
8	Elastomer Cap	Elastomer 92SH	2
9	Cam Driver Fixing Screws M10x30 DIN 912	-	2
10	Cam Base Fixing Screws M12x40 DIN 912	-	2